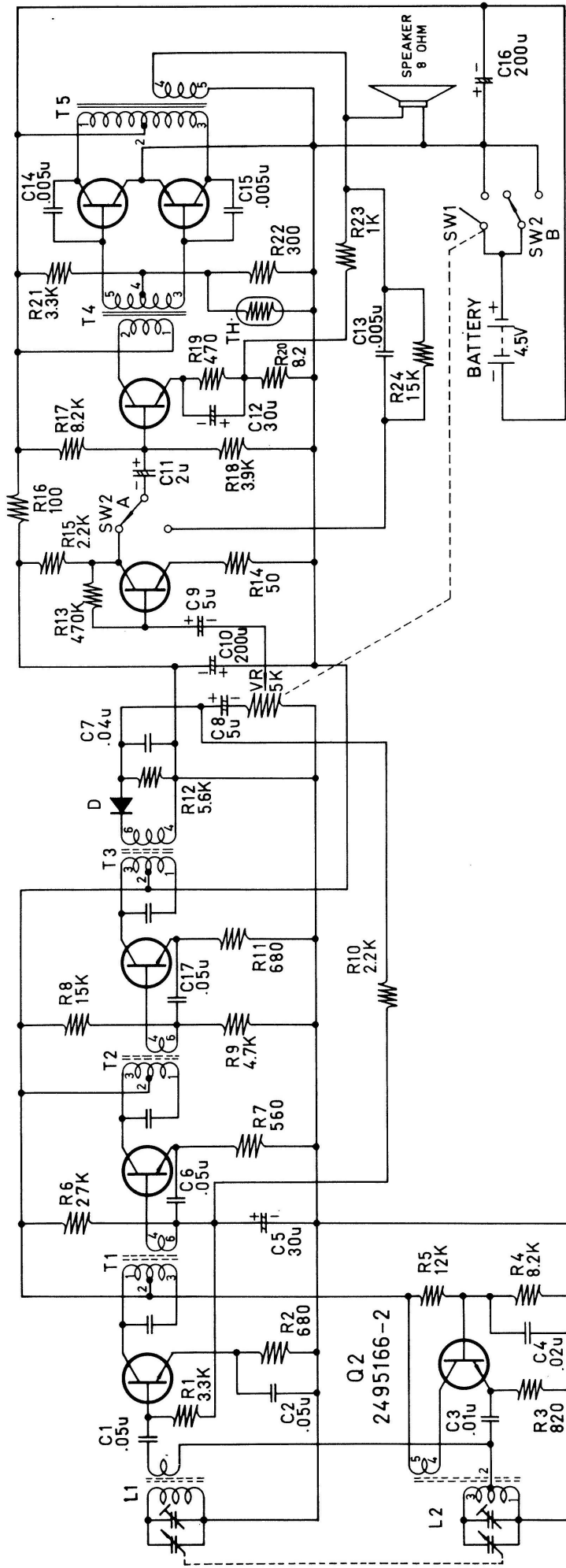
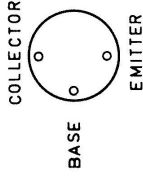


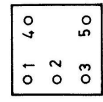
Q1 2495166-2 Q3 2495166-2 Q4 2495166-2 D 2496436 Q5 2495567-3 Q6 2495567-3 Q7,Q8 2495568-2x2



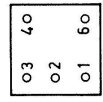
Q1,Q2,Q3,Q4,
Q5,Q6,Q7,Q8



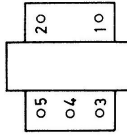
L2



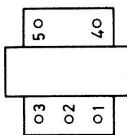
T1 T2 T3



T4



T5



(BOTTOM VIEW)

SCHEMATIC DIAGRAM