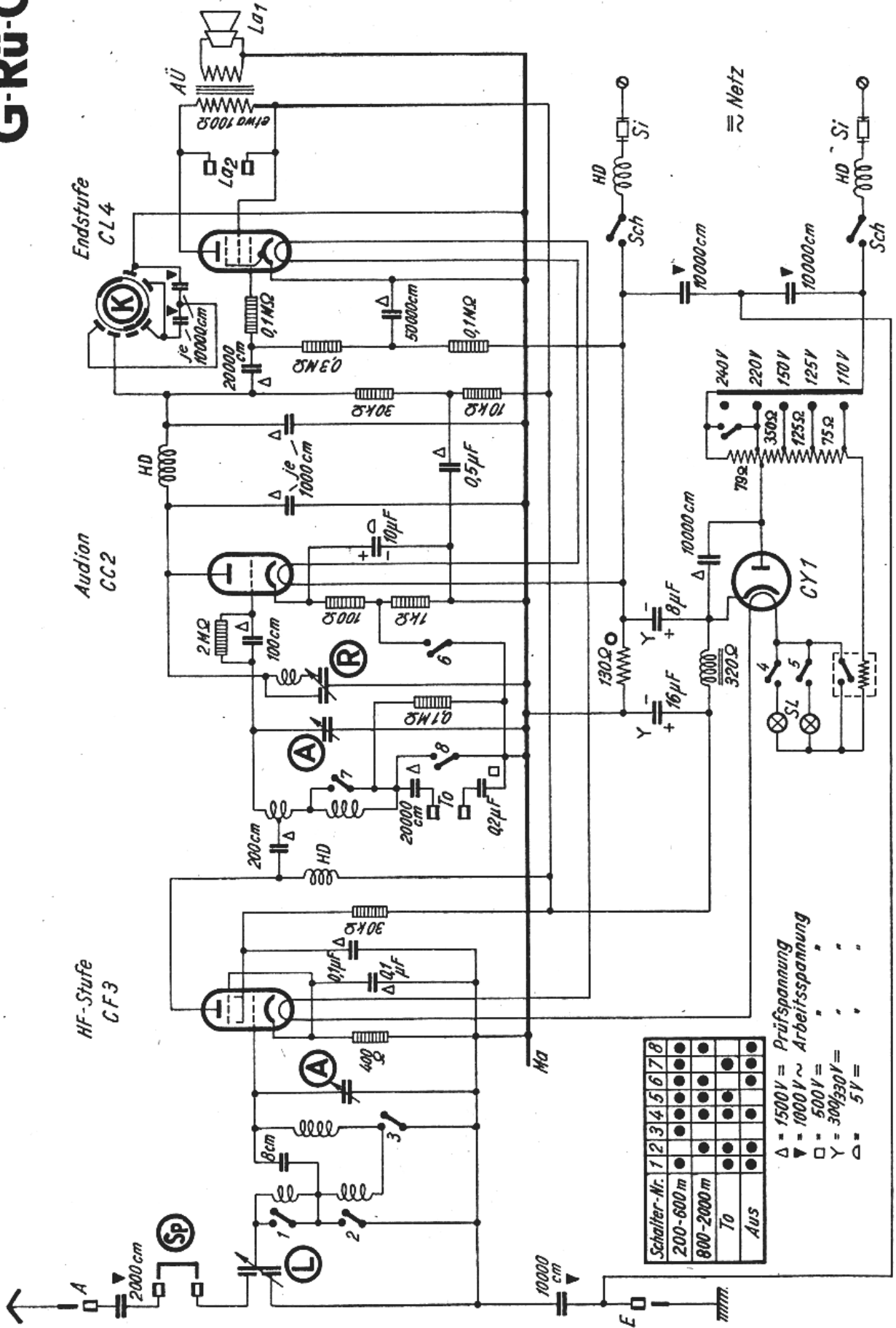


# 3 Röhren 2 Kreise G-Rü-GW

## Lumophon GW 327



Schalter-Nr.	1	2	3	4	5	6	7	8
200-600 m	●	●	●	●	●	●	●	●
800-2000 m	●	●	●	●	●	●	●	●
To	●	●	●	●	●	●	●	●
Aus	●	●	●	●	●	●	●	●

- Δ = 1500 V = Prüfspannung
- ▽ = 1000 V ~ Arbeitsspannung
- = 500 V = " "
- Y = 300/330 V = " "
- = 5 V = " "