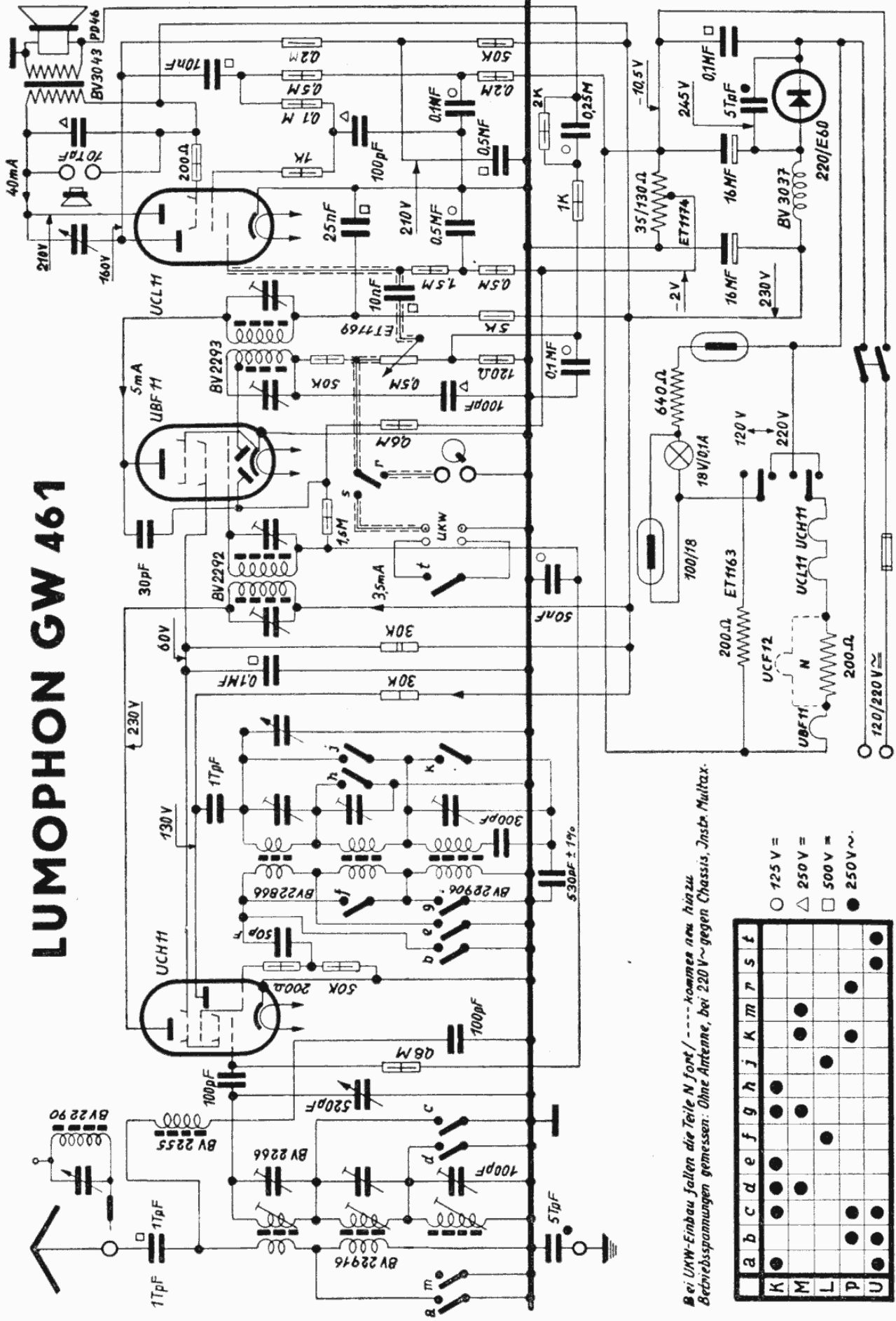


# LUMOPHON GW 461



Bei UKW-Einbau fallen die Teile N fort / ---- kommen neu hinzu  
 Betriebsspannungen gemessen: Ohne Antenne, bei 200V~ gegen Chassis, Inst. Multax.

	a	b	c	d	e	f	g	h	j	k	m	p	s	t
K	●	●	●	●	●	●	●	●	●	●	●	●	●	●
M	●	●	●	●	●	●	●	●	●	●	●	●	●	●
L	●	●	●	●	●	●	●	●	●	●	●	●	●	●
P	●	●	●	●	●	●	●	●	●	●	●	●	●	●
U	●	●	●	●	●	●	●	●	●	●	●	●	●	●