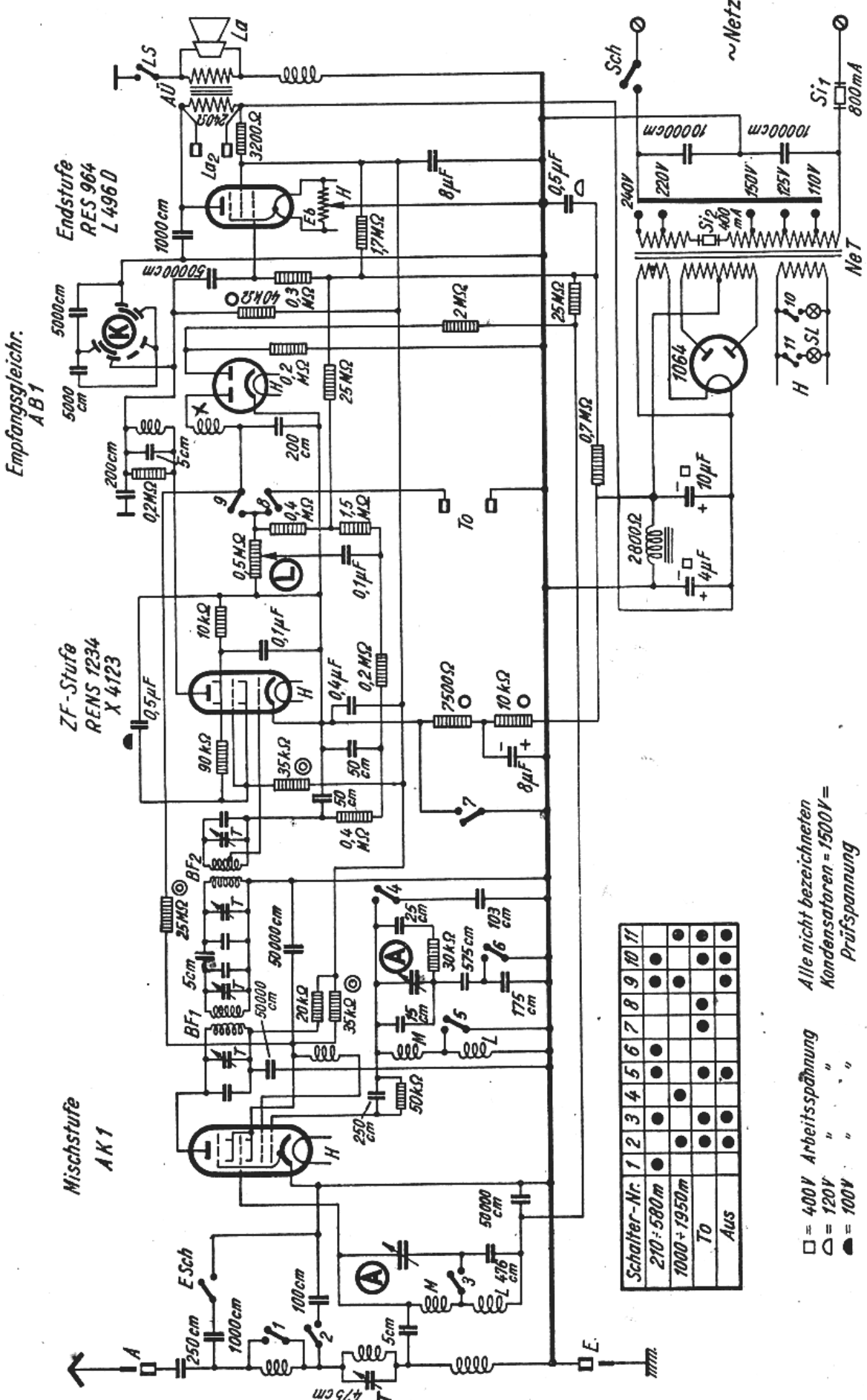


3 Röhren 6 Kreise S-R-W

Lumophon-Kurfürst WD 365



Schalter-Nr.	1	2	3	4	5	6	7	8	9	10	11
210-580m	●	●	●	●	●	●	●	●	●	●	●
1000+1950m	●	●	●	●	●	●	●	●	●	●	●
To	●	●	●	●	●	●	●	●	●	●	●
Aus	●	●	●	●	●	●	●	●	●	●	●

□ = 400V Arbeitsspannung
 △ = 120V " " " " " "
 ● = 100V " " " " " "
 Alle nicht bezeichneten Kondensatoren = 1500V = Prüfspannung